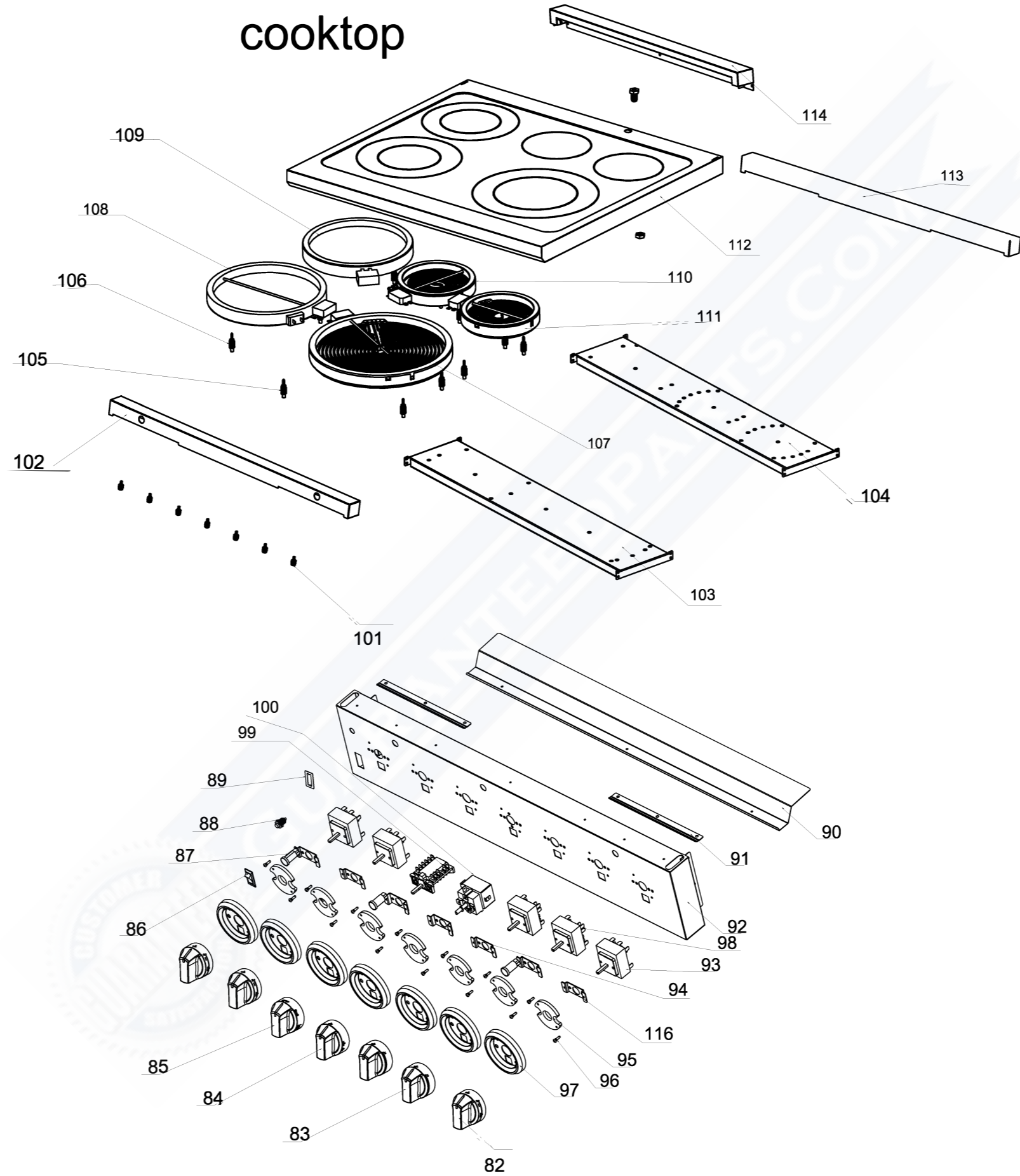
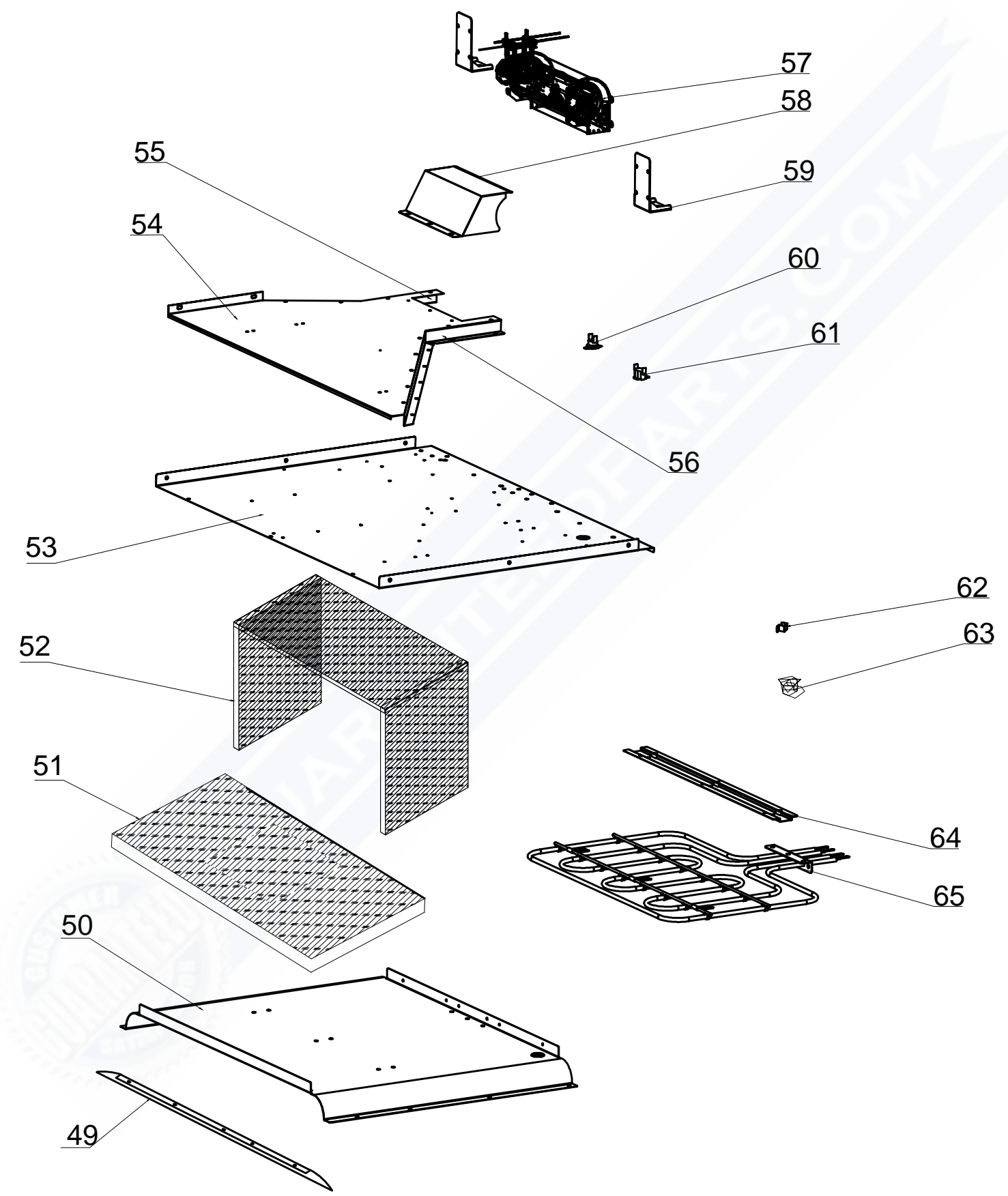


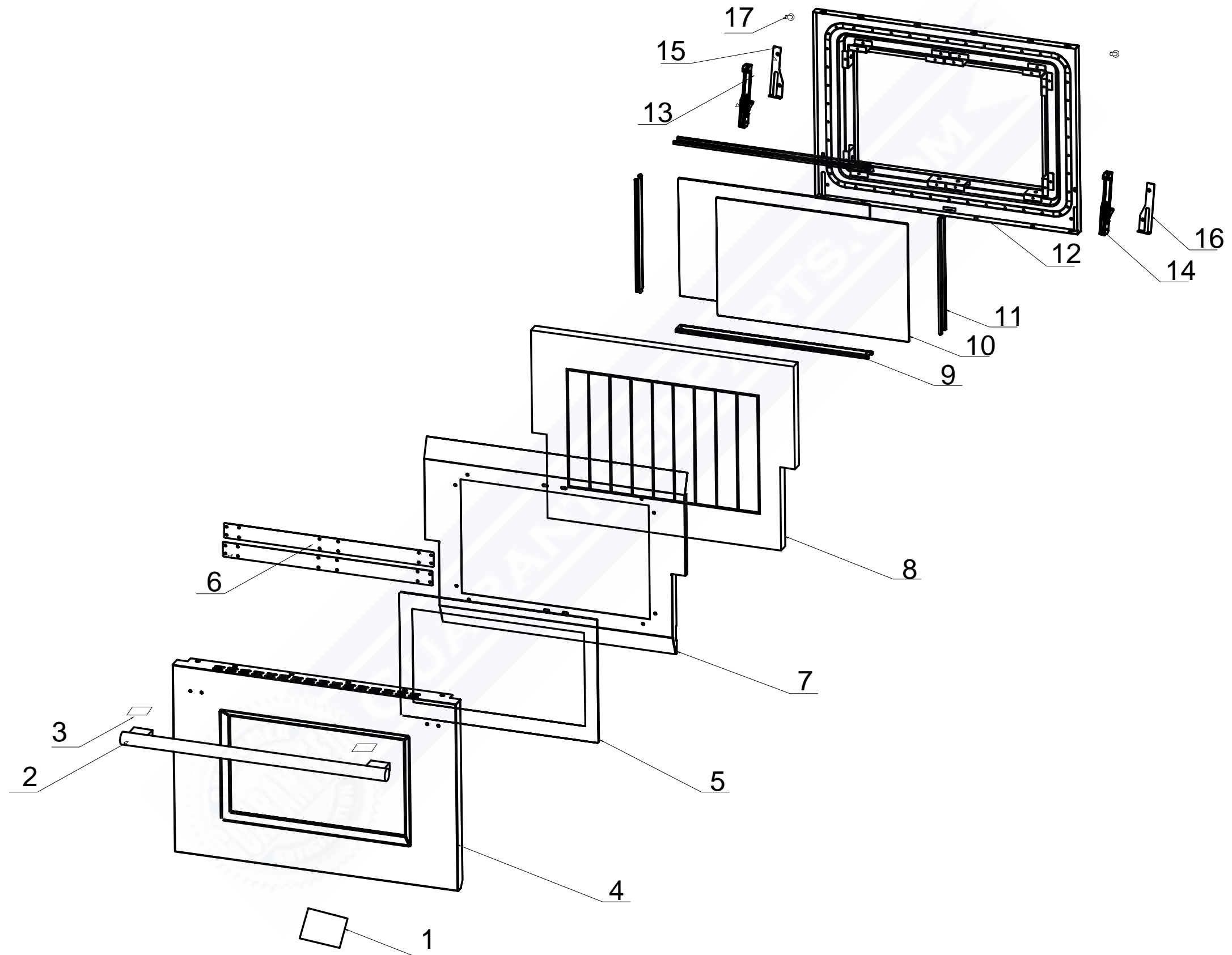
cooktop



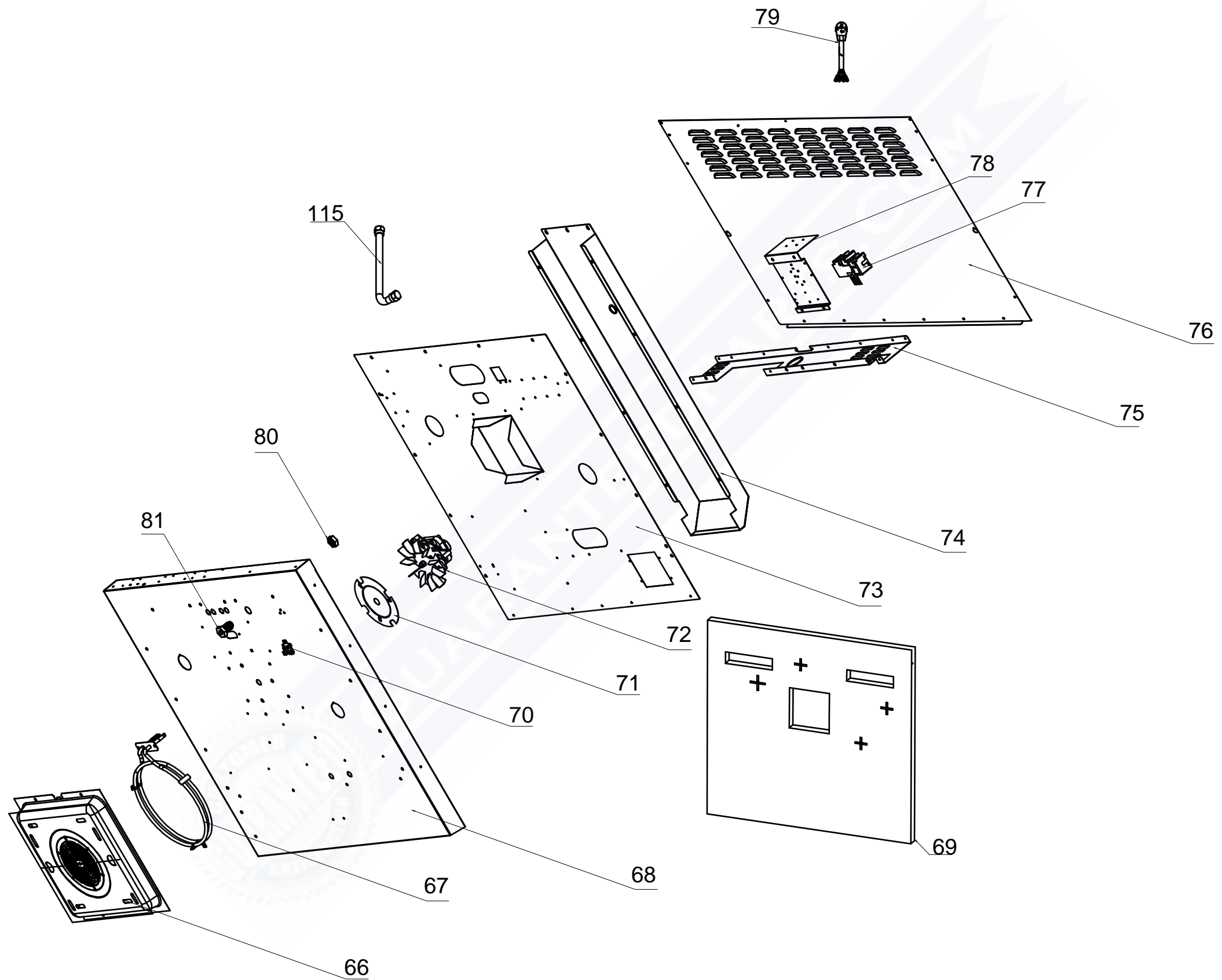
cavity top



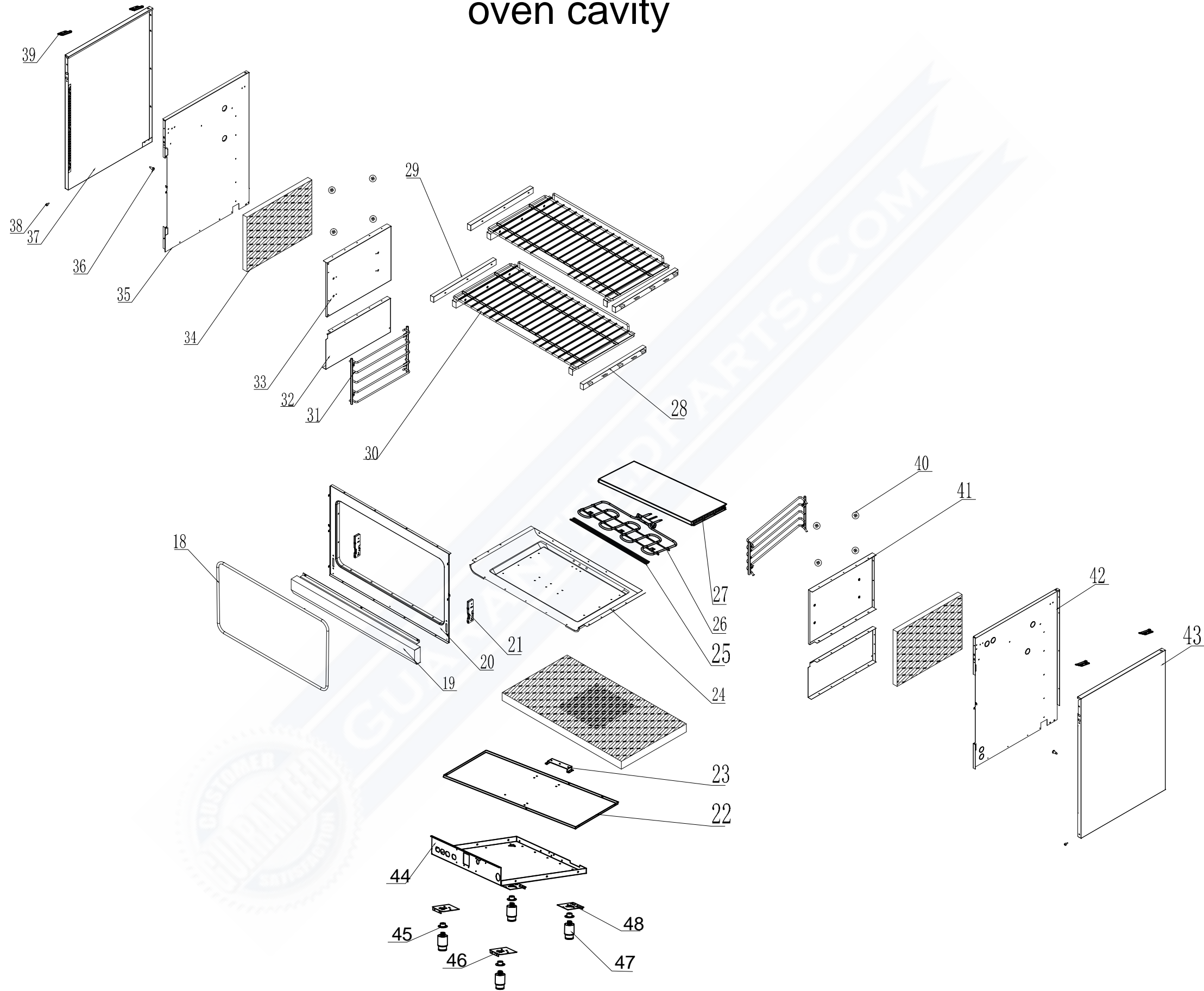
door



cavity back



oven cavity



FFSEL6020-36

NO.	Description	SKU	QTY.
1	metal logo FFSGS6244-36	G36R03-020010	1
2	Handle G36R04	G36R04-101900	1
3	handle rubber mat G36R03	G36R03-100700	2
4	door outside cover component G36R03	0307003000005	1
5	door outer glass G36R03	G36R03-101100	1
6	door outer glass black pressing plate G36R03	G36R03-101400-02	2
7	door insulation plate G36X03	G36X03-101401	1
8	glass wool for door G36X03	G36X03-103500	1
9	inner door glass top/down stip G36X03	G36X03-101500	2
10	innder door glass G36R03	G36R03-100500	2
11	inner door glass R/L strip G36X03	G36X03-101601	2
12	Door frame G36R03	G36R03-100602-Z	1
13	door hinge L G36R03	G36R03-110000	1
14	door hinge R G36R03	G36R03-110010	1
15	door strengthen part L G36X03	G36X03-101003	1
16	door strengthen part R G36X03	G36X03-101002	1
17	door round rubber mat	0704133004002	2
18	door seal bar G36R03	G36R03-071200	1
19	Drawer panel G36X01	G36X01-120102-Z	1
20	front plate component G36R03	G36R03-070100	1
21	door hinge mount G36X03	G36X03-110000-1	2
22	drawer insulation plate C36X04	C36X04-072100	1
23	cavity bottom heat element ground support C36X04	C36X04-080700	1
24	cavity down plate C36X03	C36X03-070704-Z	1
25	heat element cushion plate C36X04	C36X04-080600	1
26	36"oven bottom heat elememt C36R05	C36R05-091200	1
27	oil baffle plate C36X04	C36X04-215102	1
28	slide rail R G36X01	G36X01-120701	2
29	slide rail L G36X01	G36X01-120700	2
30	baking rack G36R05	G36R05-071902	2
31	side rack G36X01	G36X01-073800	2
32	cavity downside plate G36X03	G36X03-070400	2
33	cavity top left side plate G36X04	G36X04-070509	1
34	glass wool for cavity down left upper side G36X03	G36X03-073300	2
35	left outside plate inside E30R03	E30R03-071101	1

36	screw for anti-tip step G36X03	G36X03-111000	1
37	left outside plate E30R05	E30R05-071000	1
38	drawer panel fixed screw G36X03	G36X03-130100	2
39	cooktop side press part E30R03	E36R03-071300	4
40	side rack protect cover G36X03	G36X03-073900	8
41	cavity top right side plate G36X04	G36X04-070508	1
42	right outside plate inside E30R03	E30R03-071100	1
43	right outside plate E30R05	E30R05-071001	1
44	bottom plate G36R04	G36R04-071800	1
45	leg round fixed screw	BZ-0000000912	4
46	front left/right foot fixed part G48R04	G48R04-071813	2
47	oven leg G60R05	G60R05-071500	4
48	back left/right foot fixed part G48R04	G48R04-071811	2
49	front panel strip G36X03	G36X03-214500	1
50	cavity top plate C36R05	C36R05-070600-Z	1
51	glass wool for cavity bottom plate G36X03	G36X03-036000	2
52	glass wool for cavity structure frame G36X03	G36X03-070800	1
53	cavity insulation plate C36R05	C36R05-074500-Z	1
54	Wind board E36R03	E36R03-075000	1
55	Left side plate for wind board C36R05	C36R05-075200	1
56	Right side plate for wind board C36R05	C36R05-075100	1
57	cooling fan C36R05	C36R05-200900	1
58	fan heat insulation cover C36X04	C36X04-075300	1
59	cooling fan fixed support C36X04	C36X04-075400	2
60	Thermo-controller 140°C E24F01	E24F01-076200	1
61	Thermo-controller 50°C C36R05	C36R05-076200	1
62	plastic wire hook G36R03	G36R03-160200	5
63	wires E36R05-180300	E36R05-180300	1
64	heat element cushion plate C36X04	C36X04-080600	1
65	broil heat element (inside+outside)	C36R05-091000	1
66	convection fan cover G20H08	G20H08-091701	1
67	back heat element	C20A01-091602	1
68	cavity back plate E36R05	E36R03-070301	1
69	glass wool for cavity back plate G36X03	G36X03-072900	1
70	thermo-sensor fixed part G20A01	G20A01-031100	1
71	fan motor baffle plate C36A01	C36A01-073100	1
72	Convection fan G20A01	G20A01-091501	1
73	cavity back insulation plate C36R05	C36R05-072200	1
74	back ventilation part C30R04	C30R04-075600	1
75	bottom fixed plate for baffle plate C36R05	C36R05-072400	1

76	baffle plate	E36R03-072001	1
77	cord terminal E20F01	E20F01-106400	1
78	safety valve big support G36X03	G36X03-076600	1
79	power cord 14#	G20A14-160100	1
80	Joint screw nut E30R03	E30R03-210510	2
81	corrugated pipe joint E30R03	E30R03-210500	2
82	knob for double gas outlets E36R05	E36R05-030100	3
83	knob for single gas outlet E30R05	E30R05-030100	2
84	knob for thermostat C36R05	C36R05-030101	1
85	36" knob for switch C36R05	C36R05-030105	1
86	press button G48X03	G48X03-170200	1
87	red indicator G36X03	G36X03-031000-7	3
88	metal press button G36R05	G36R05-170200	1
89	press button cushion part G36R07	G36R07-100800	1
90	Air guiding plate E36R03	E36R03-032400	1
91	cooktop front pressing plate E30R03	E36R03-023400	2
92	control panel E36R05	E36R05-030300	1
93	switch support double ring E30R05	E30R05-031600	3
94	switch support E30R03	E30R03-031200	2
95	knob shining PCB G36R04	G36R04-031000	7
96	plastic rivet G36R03	G36R03-232902	14
97	knob ring G36R04	G36R04-030200	7
98	Cooktop switch E30R05	E30R05-031601	2
99	switch 5+0 C36R05	C36R05-170800	1
100	thermo-control component switch C36R05	C36R05-030900	1
101	red LED light G36X04	G36X04-031000-7	7
102	cooktop front strengthen part E36R03	E36R03-025000	1
103	front beam E36R05	E36R05-024100	1
104	back beam E36R05	E36R05-024101	1
105	radiant burner spring E24F08	E24F08-026100	15
106	radiant burner bolt E24R10	E24R10-025100	15
107	Radiant burner 12" 3000W E30R05	E30R05-022600	1
108	Radiant burner 9" 3000W E30R05	E30R05-022500	1
109	Radiant burner 2200W E30R05	E30R05-022400	1
110	Radiant burner 100W E30R03	E30R03-022300	1
111	Radiant burner 1200W E20R08	E20R08-022300	1
112	ceramic cooktop comonent E36R05	E36R05-020000	1
113	cooktop back strengthen part E36R03	E36R03-025001	1
114	backsplash board E36R05	E36R05-011500-Z	1
115	5/8" corrugated pipe 300mm G20C01	G20C01-215302	1
116	switch support E36R04	E36R04-031200	5